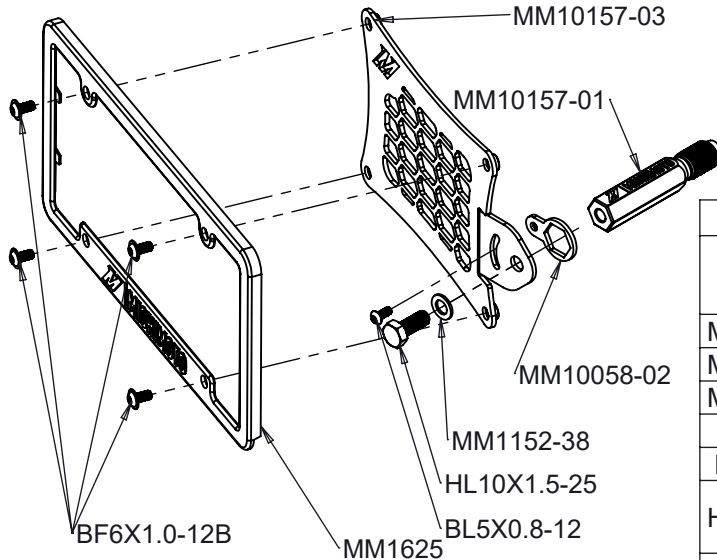


MISHIMOTO

INSTALLATION STEPS:

1. PUSH THE ARROW ON TOP OF THE TOW HOOK COVER AND THE BOTTOM WILL POP OUT. REMOVE TOW HOOK COVER.
2. USING A 21MM WRENCH OR SOCKET, INSTALL MM10157-01 INTO THE TOW HOOK MOUNT. TORQUE TO 40 FT-LBS.
3. SLIDE MM10058-02 ONTO MM10157-01 AS SHOWN.
4. USING A 16MM WRENCH OR SOCKET, ATTACH MM10157-03 IN THE DESIRED ORIENTATION TO MM10157-01 WITH MM1152-38 & HL10X1.5-25. TORQUE TO 40 FT-LBS.
5. USING A 3MM ALLEN WRENCH, INSTALL BL5X0.8-12 THROUGH THE SLOT IN MM10157-03 INTO MM10058-02 AND TIGHTEN TO LOCK THE ROTATION OF MM10157-03
6. USING A 4MM ALLEN WRENCH, ATTACH YOUR LICENSE PLATE TO MM10157-03 WITH (4) BF6X1.0-12B



BILL OF MATERIALS

| PART NUMBER | DESCRIPTION | QUANTITY |
|-------------|-----------------------------|----------|
| MM10157-01 | SHAFT | 1 |
| MM10058-02 | BRACKET 1 | 1 |
| MM10157-03 | BRACKET 2 | 1 |
| MM1625 | PLATE FRAME | 1 |
| MM1152-38 | FLAT WASHER | 1 |
| HL10X1.5-25 | M10 HEX HEAD LOCKING BOLT | 1 |
| BL5X0.8-12 | M5 BUTTON HEAD LOCKING BOLT | 1 |
| BF6X1.0-12B | M6 BUTTON HEAD FLANGED BOLT | 4 |

FOR QUESTIONS OR ASSISTANCE WITH YOUR MISHIMOTO PRODUCT,
CONTACT US AT 1.877.GOMISHI OR SUPPORT@MISHIMOTO.COM